

## Industrial Wireless Access Point

■ ■ AW5500C

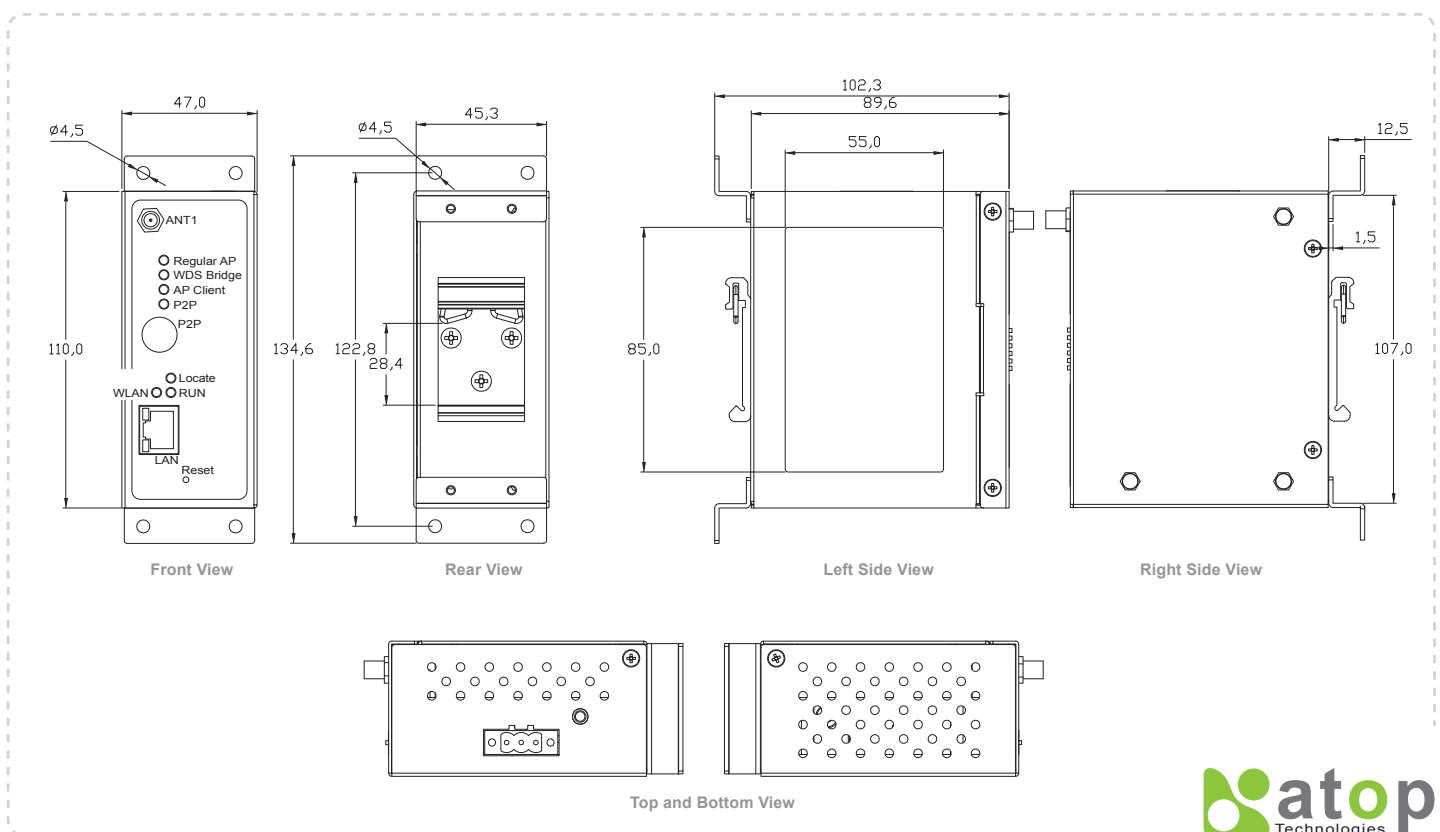
RoHS II compliant

- Designed for 802.11 b/g/n networks
- Web server/Utility configuration (Device View)
- Upgrade via Device View or Web server
- Client isolation
- Different operating modes and topology options (WDS Bridge and AP Client)
- FCC (United States), ETSI (Europe) certified wireless equipment
- Support WPS(Wi-Fi protected setup)
- Support Wi-Fi Direct (Peer-to-Peer)

Suitable in a wide array of applications, the new AW5500C is able to withstand harsh conditions typically found in the industry.

AW5500C is also designed thinking on your security, state of the art encryption as well as having the ability to create a virtual network among wireless clients; this level of communication between clients can be easily and intuitively controlled using this option, imposing restrictions on data and excluding malware at the same time. AW5500C embodies a strong wireless network manager that will surely deliver optimum performance in your network.

AW5500C supports “WPS & Wi-Fi Direct” technology that makes Wi-Fi usage to be an ease-of-use connectivity, and delivers an industry-wide peer-to-peer solution based on broadly deployed Wi-Fi technologies.



**Specifications**

**Network Interface**

Connector	RJ-45
Speed	IEEE802.3u, 100 Base-T(X)

**Power Characteristics**

Input Voltage	9VDC - 48VDC
Input Current(9VDC)	0.65A
Power Consumption	Approx. 5.85W (max)
Reverse Polarity Protection	Yes
Connector	5.08mm 3-pin Lockable Terminal Block

**Mechanicals**

Protection Rating	IP50
Dimensions(W X H x D)	47 X 110 X 90 mm
Weight	500g
Installation	DIN-Rail, wall mount (optional kit)
Reset Button	Yes
WPS / Wi-Fi Direct Button	Yes

**Environmental Limits**

Operating Temperature	-10°C ~ 60°C (14°F ~ 140°F)
Storage Temperature	-40°C ~ 85°C (-40°F ~ 185°F)
Ambient Relative Humidity	5 ~ 95% RH, (non-condensing)

**Software Features**

Operation Modes	AP, WDS Bridge, AP Client
Wireless Security	WEP, WPA, WPA2, TKIP, AES, 802.1x
Network Security	Client Isolation, Firewall / Filtering, Turn off Radio
Alerts Event	E-mail / SNMP Trap
Supported Protocols	ICMP, TCP, UDP, DHCP Server/Client, DNS, SNMP, NTP, SMTP, HTTP, IPv4, 802.1x, RADIUS, STP, WPS, Syslog

**Warranty** 5 years

**Regulatory Requirements**

EMC	EN 301489-1 V1.8.1, EN301489-17 V2.1.1 (Class A), FCC 15B (Class A)
Radio	FCC 15C 15.247, EN 300328 V1.7.1
EMF	EN 62311: 2008, EN 50385: 2002

Test	Item	Value	Level
IEC 61000-4-2	ESD	Contact Discharge	±4KV
		Air Discharge	±8KV
IEC 61000-4-3	RS	Radiated(Enclosure)	3(V/m)
IEC 61000-4-4	EFT	AC Power Port	±2.0 KV
		DC Power Port	±0.5 KV / ±1.0 KV
		Signal Port	±0.5 KV
IEC 61000-4-5	Surge	AC Power Port	Line-to-Line±1.0 KV / Line-to-Earth±2.0 KV
		DC Power Port	Line-to-Earth±0.5KV / ±1.0 KV
		Signal Port	Line-to-Line±1.0 KV / Line-to-Earth±1.0 KV
IEC 61000-4-6	CS	Conducted(Enclosure)	3 V rms
IEC 61000-4-8	PFMF	(Enclosure)	3(A/m)
IEC 61000-4-11	DIP	AC Power Port	-

\*AC Ports are tested through an power adaptor available in the accessory.

Safety	UL60950-1/CB, EN60950-1
Shock	IEC 60068-2-27
Freefall	IEC 60068-2-32
Vibration	IEC 60068-2-64
MTBF	15 years (MIL-HDBK-217F)
RoHS II	Yes

**Ordering Information**

AW5500C	P/N:1P1AW5500C0001G	Industrial Wireless Access Point
---------	---------------------	----------------------------------

**Optional Accessories**

AD17-24C (US-Y) Power Adapter	P/N: 50500151240002G	Y-Type power adaptor,100-240VAC input, 0.6A @ 24VDC output, US plug
AD17-24D (EU-Y) Power Adapter	P/N: 50500151240012G	Y-Type power adaptor,100-240VAC input, 0.6A @ 24VDC output, EU plug
WMK-454-Black	P/N: 70100000000043G	Black Aluminum Wall Mount Kit

### Wireless Characteristics

<b>Wireless PCI-e Module</b>	Atheros AR9382
<b>Tx / Rx</b>	1T1R MIMO (1 x 1 with MCS 0-7)
<b>Standard Conformance</b>	802.11b, 802.11g, and 802.11n
<b>Antenna</b>	3/5 dBi antenna design, SMA(R) Female connector

### Operating Frequency

	2.4Ghz	
<b>United States (FCC)</b>	2412-2462(20Mhz)/2422-2452(40Mhz)	
<b>Europe (ETSI)</b>	2412-2472(20Mhz)/2422-2462(40Mhz)	

### Data Rate

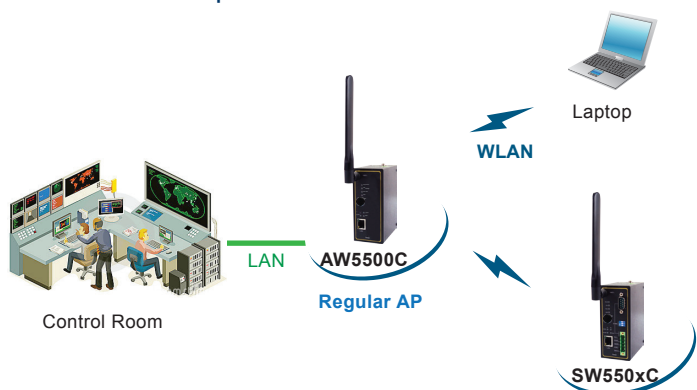
<b>802.11b</b>	1, 2, 5.5 and 11Mbps
<b>802.11g</b>	6, 9, 12, 18, 24, 36, 48, 54Mbps
<b>802.11n</b>	20MHz bandwidth: 1Nss: 65Mbps @ 800GI, 72.2Mbps @ 400GI (Max.) 40MHz bandwidth: 1Nss: 135Mbps @ 800GI, 150 Mbps @ 400GI (Max.)

### Output Power

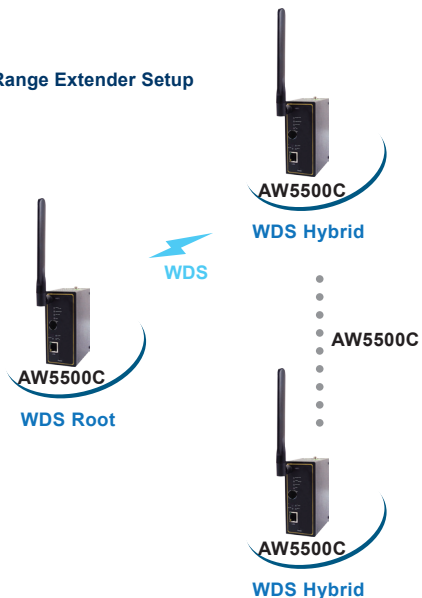
<b>802.11b</b>	+14dBm			
<b>802.11g</b>	+17dBm @ 6, 9, 12,18,24Mbps / +17dBm @ 36Mbps / +16dBm @ 48Mbps / +16dBm @ 54Mbps			
<b>802.11n 2.4GHZ/HT20</b>	+16dBm @ MCS 0	+16dBm @ MCS 4	+16dBm @ MCS 1	+16dBm @ MCS 5
	+16dBm @ MCS 2	+16dBm @ MCS 6	+16dBm @ MCS 3	+15dBm @ MCS 7
<b>802.11n 2.4GHZ/HT40</b>	+15dBm @ MCS 0	+15dBm @ MCS 4	+15dBm @ MCS 1	+15dBm @ MCS 5
	+15dBm @ MCS 2	+15dBm @ MCS 6	+15dBm @ MCS 3	+14dBm @ MCS 7

Receiver Sensitivity					
	Data Rate	IEEE Spec(1 Rx dBm)		Data Rate	IEEE Spec(1 Rx dBm)
<b>802.11b</b>	1M	not specified	<b>802.11n HT40</b>	MCS0	-79
	5.5M	not specified		MCS1	-76
	11M	not specified		MCS2	-74
<b>802.11g</b>	6M	-82		MCS3	-71
	9M	-81		MCS4	-67
	12M	-79		MCS5	-63
	18M	-77		MCS6	-62
	24M	-74	MCS7	-61	
	36M	-70	<b>802.11b/g/n HT20</b>	MCS0	-82
	48M	-66		MCS1	-79
54M	-65	MCS2		-77	
<b>802.11n HT20</b>	MCS0	-82		MCS3	-74
	MCS1	-79		MCS4	-70
	MCS2	-77		MCS5	-66
	MCS3	-74		MCS6	-65
	MCS4	-70	MCS7	-64	
	MCS5	-66	<b>802.11b/g/n HT40</b>	MCS0	-79
	MCS6	-65		MCS1	-76
MCS7	-64	MCS2		-74	
		MCS3		-71	
		MCS4		-67	
		MCS5		-63	
		MCS6		-62	
		MCS7	-61		

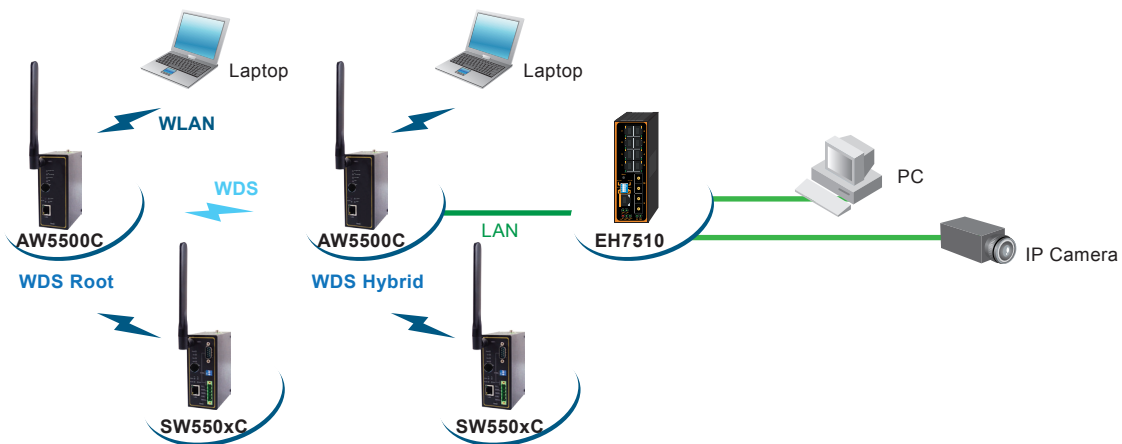
Basic Access Point Setup



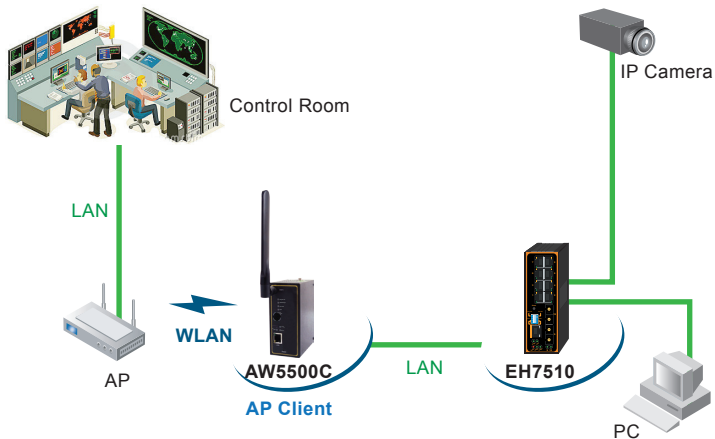
Coverage Range Extender Setup



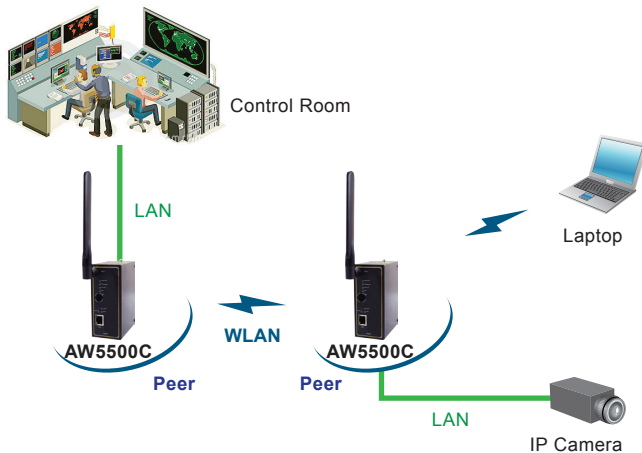
Basic WDS Setup



AP Client Setup



WPS / Wi-Fi Direct Mode



Atop Technologies, Inc.

TEL : +886-3-5508137  
 FAX : +886-3-5508131  
 sales@atop.com.tw  
 http : //www.atop.com.tw

Design and specification are subjected to change without notice.  
 All product names referenced herein are registered trademarks of their respective companies.

